

# StarBoard TE-YL5

---

# INTERACTIVE DISPLAY



## StarBoard Advanced Touch Technology

The StarBoard Interactive Flat Panel Display provides the latest infrared touch technology and with all the features you expect to meet the demands of active presentations and training environments. Minimalist design with essential connectivity, front speakers and IR technology makes StarBoard Interactive Flat Panel Display's easy and intuitive to use. The large interactive surface offers a high-resolution image and delivers an excellent platform for both classroom, education, and business

### Proven Touch Screen Technology

Allows your choice of multi-finger touch, stylus pen or pointer response which can be used for writing, drawing and navigation.



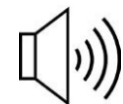
Built-in Android 9.0



Ultra Slim Design



Compatible with  
Windows, Mac OS  
and Linux



Built in 15w  
Speakers

### Software

Equipped with StarBoard's Interactive Software, SBS Note, StarClass Management.

# StarBoard YL5

## Specifications

Model TE-YL5	
Display	
Display Sizes	65" 75" 86"
Resolution	3840x2160
Active Area (mm)	65": 1428.48x803.52 (64.53") 75": 1650.24x928.26 (74.52") 86": 1895.04x1065.9 (88.56")
Glass	3.2mm tempered glass
View angle	178°
Aspect ratio	16:9
Brightness	350 cd/m2
Contrast	65": 4000:1 75": 4000:1 86": 1200:1
Colors	10 Bit + FRC (1.07 Billion)
Resolutions supported	1024x768 / 1280x720 / 1280x960 1280x1024 / 1360x768 / 1440x900 1600x1200 / 1920x1080 / 3840x2160
Response time	65": 5-8 ms 75": 6-8 ms 86": 8-12 ms

Android specification	
System	Android 9.0
GPU	Quad core Mali G52
CPU	4*ARM Cortex-A55
RAM	3G
ROM	32G
Bluetooth	5.0

Touch specification	
Working temp.	0°C – 40°C
Touch points	Up to 20 Points
Writing mode	Finger, pen, or any non-transparent object
Touch Technology	IR Technology
Accuracy	<3 mm
Positioning Res.	4096x4096/16384x16384/32768x32768
Response time	<8ms
Cursor speed	>180 dot/Sec
Comm. Port	USB

Input / Output connections				
	Back input	Front input	Back output	OPS *
WIFI	1 (5G)			
RJ45	1			
Touch Port	1			
HDMI 2.0	2			1
VGA	1			1
Audio	1			1
RS232	1			
SD Card	1			
YPbPr	1			
DP	1			
HeadPhone			1	
AV	1			
COXIAL			1	
USB 2.0	1	2		
Touch USB	1			1
USB 3.0	1			
USB Type-C		1		

\* OPS is based on an Intel Core i5 processor witch is an optional extra.

Power specification	
Standby	<1W
Rated consumption	65": 220W 75": 250W 86": 350W
Voltage range	AC (100-240) V-50/ 60Hz

General	
Weight (N.W)	65": 34.0 Kg 75": 50.0 Kg 86": 71.0 Kg
Weight (G.W)	65": 46.0 Kg 75": 66.5 Kg 86": 93.0 Kg
Packaging dimension	65": 1646x1074x240 mm 75": 1873x1204x240 mm 86": 2120x1353x240 mm
Product dimension	65": 1469.1x915.6x93.2 mm 75": 1695.6x1045.8x96.1 mm 86": 1942x1183.6x93.9 mm
Life Spam	50.000 Hours

### StarBoard Solution GmbH

Am Borsigturm 53  
13507 Berlin, Germany  
Tel.: +49 (0)30 8877 2600

Email: [berlin@starboard-solution.com](mailto:berlin@starboard-solution.com)

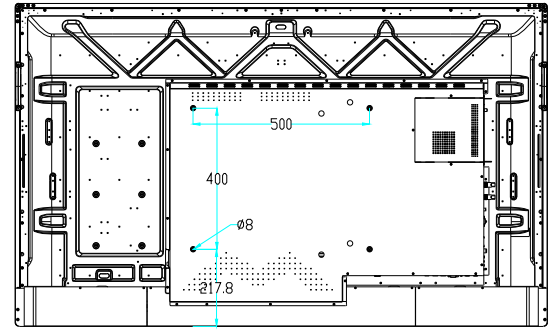
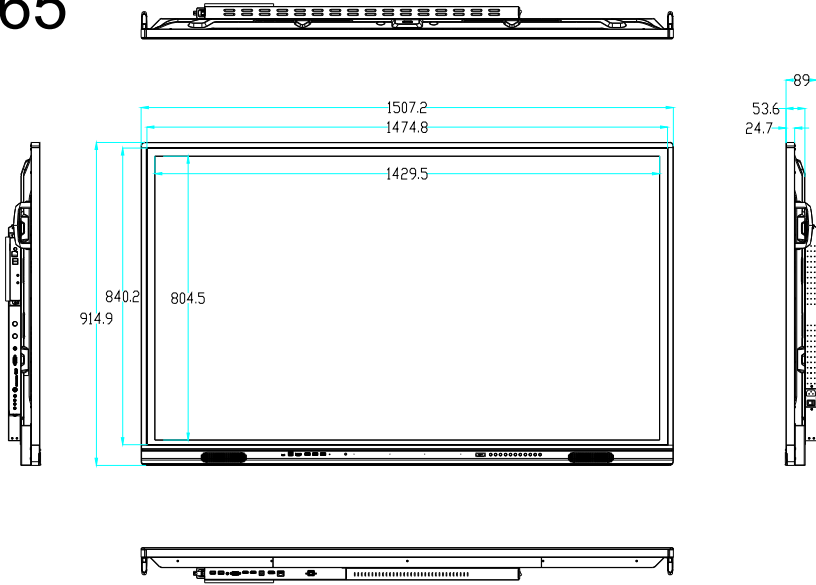
[www.starboard-solution.eu](http://www.starboard-solution.eu)



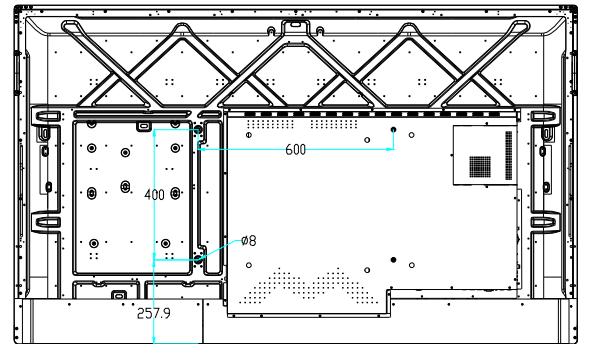
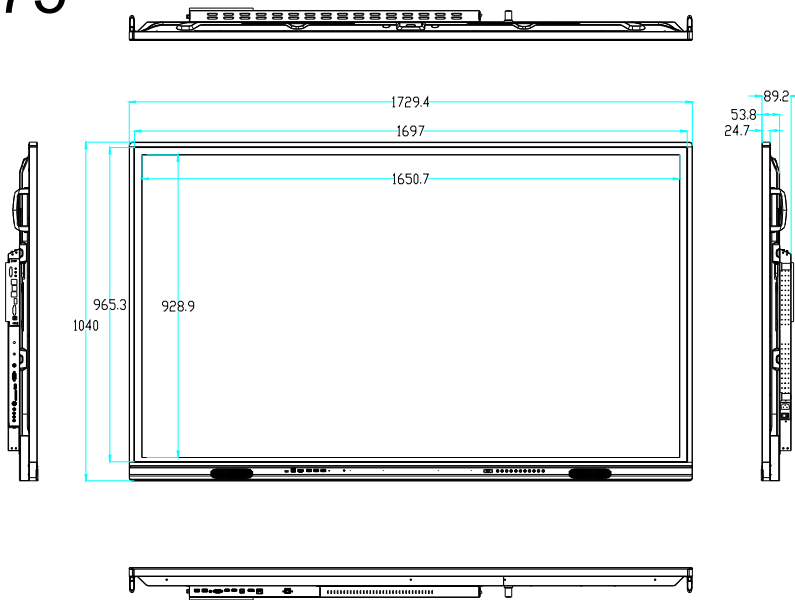
**StarBoard**<sup>®</sup>  
INTERACTIVE SINCE 2001

# StarBoard YL5

## 65"



## 75"



## 86"

